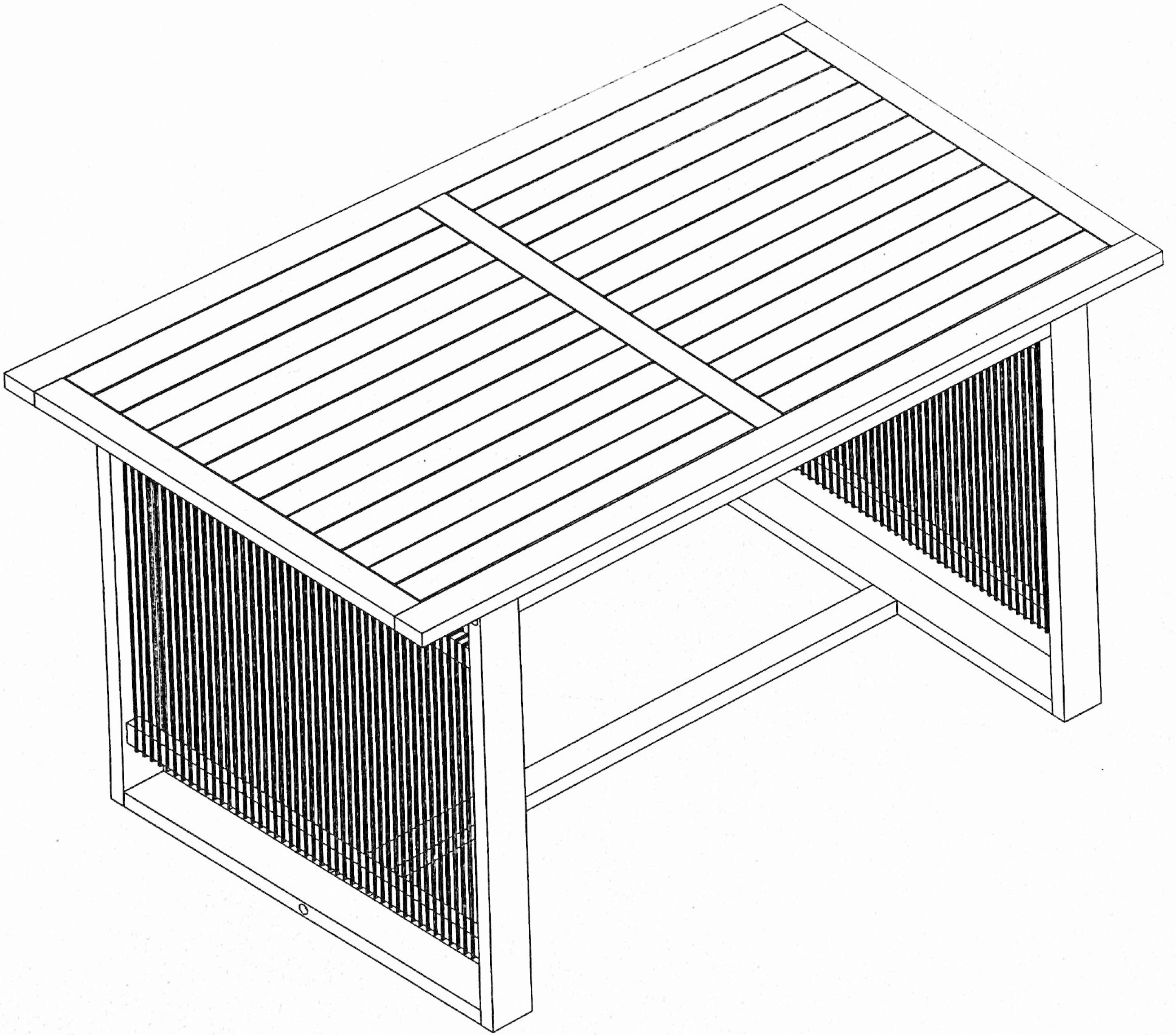
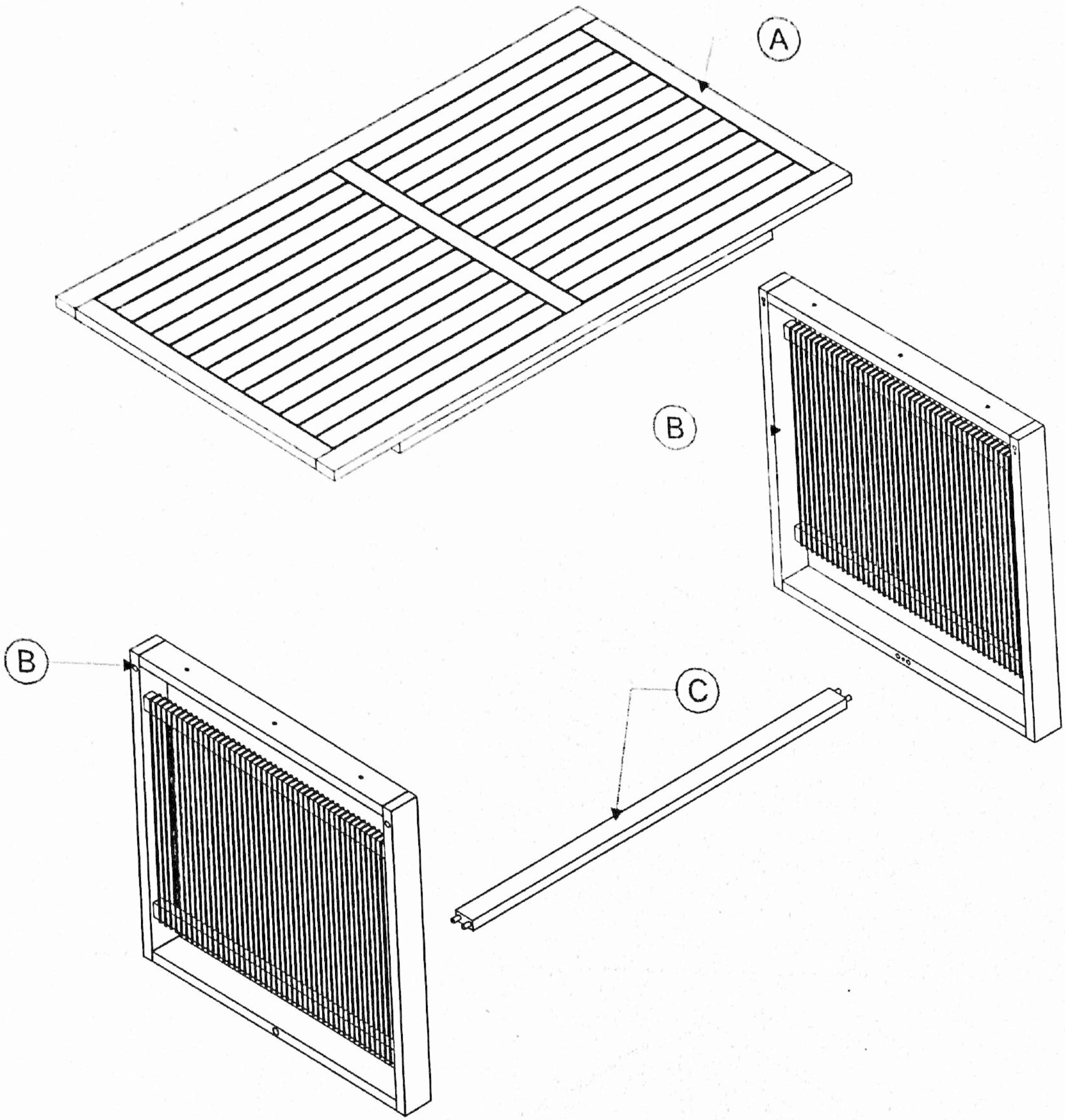


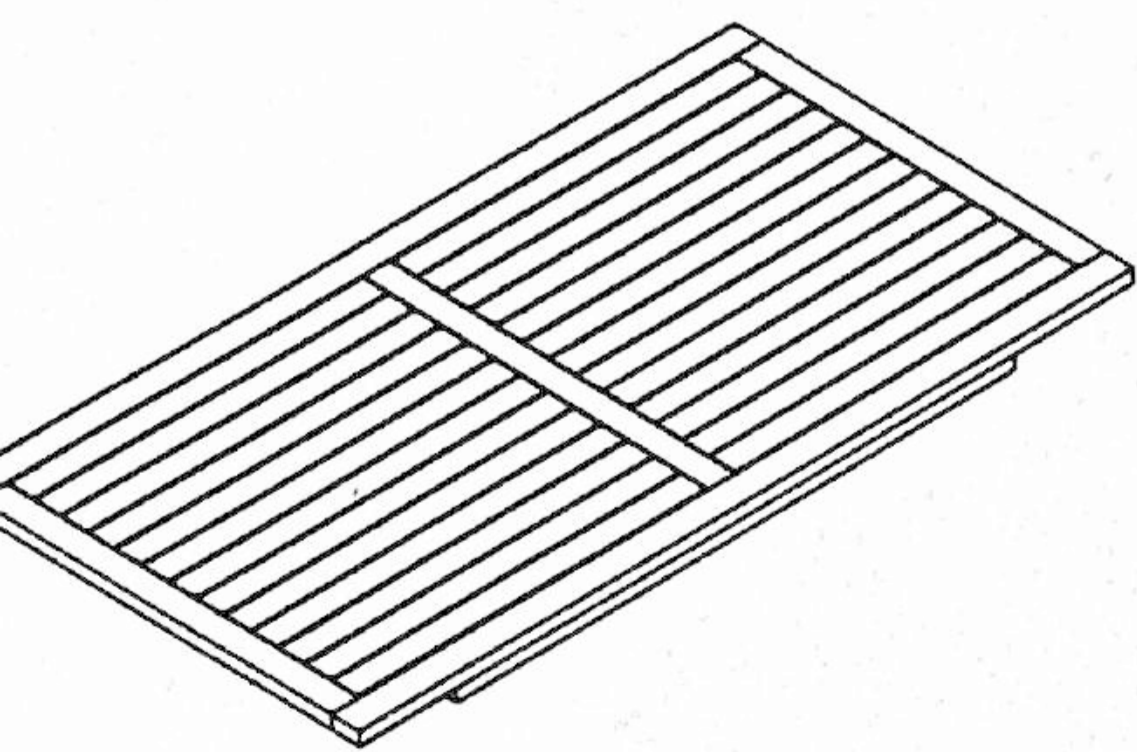


X2

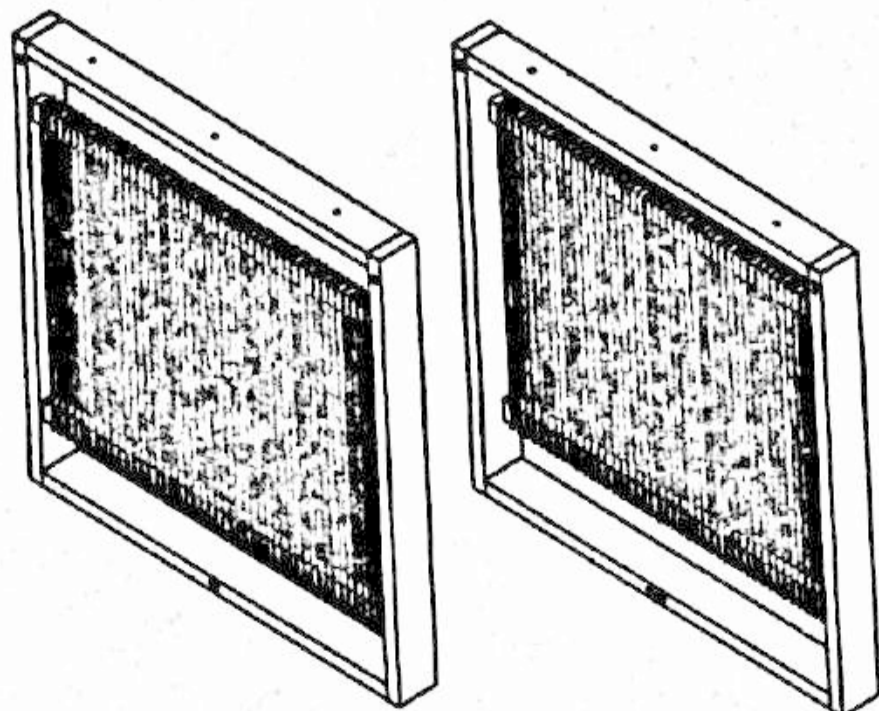




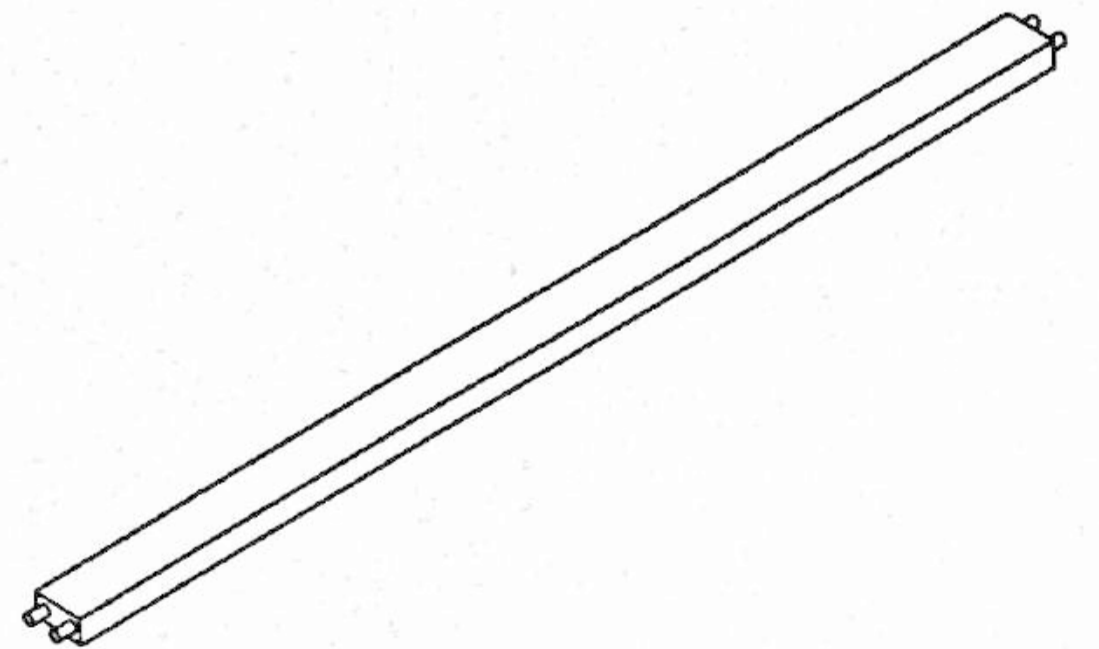
Ⓐ x 1



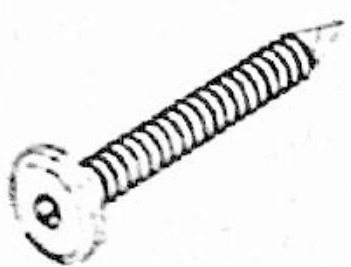
Ⓑ x 2



Ⓒ x 1

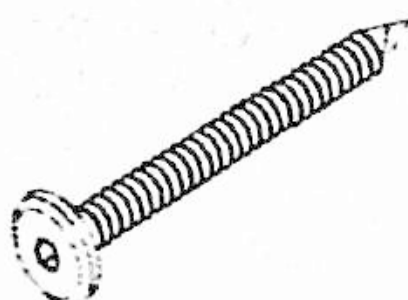


① x 6



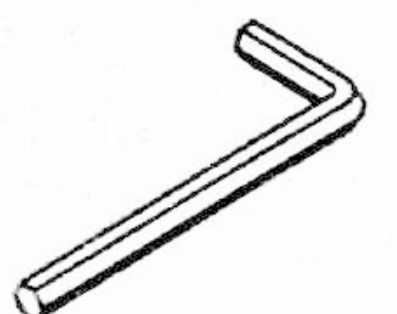
M7x40

② x 6

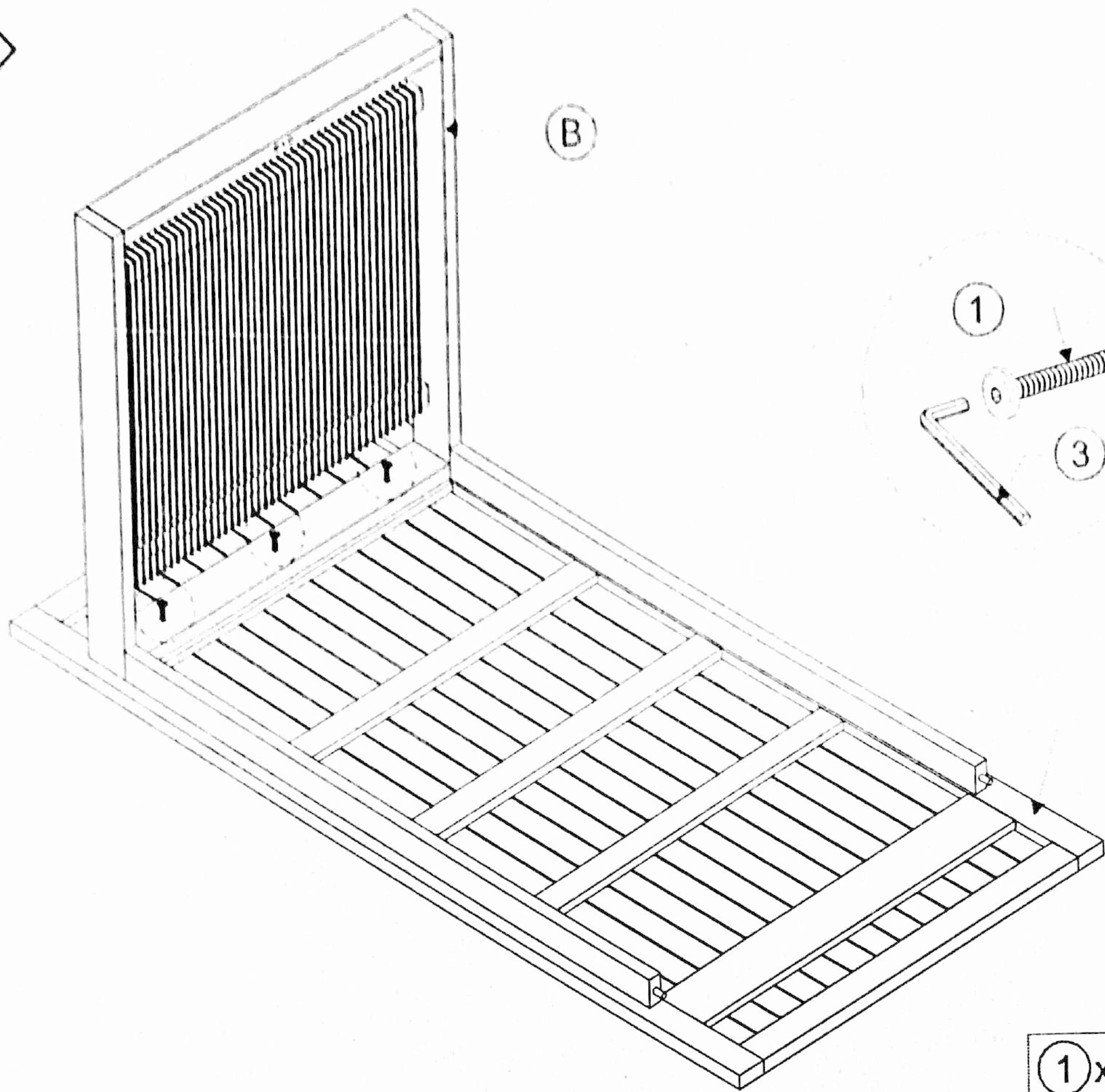



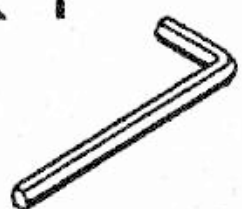
M6x70

③ x 2

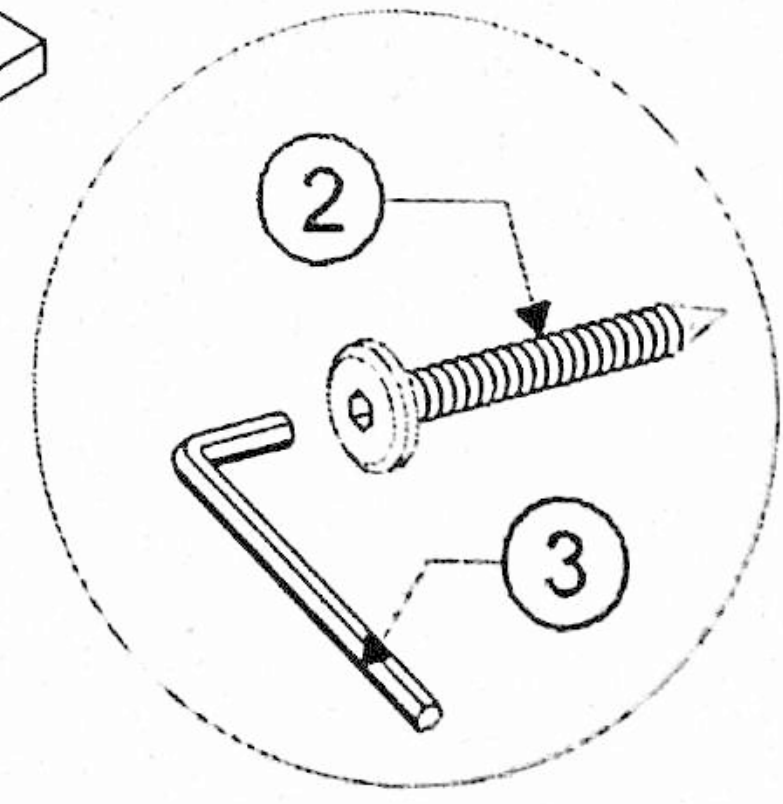
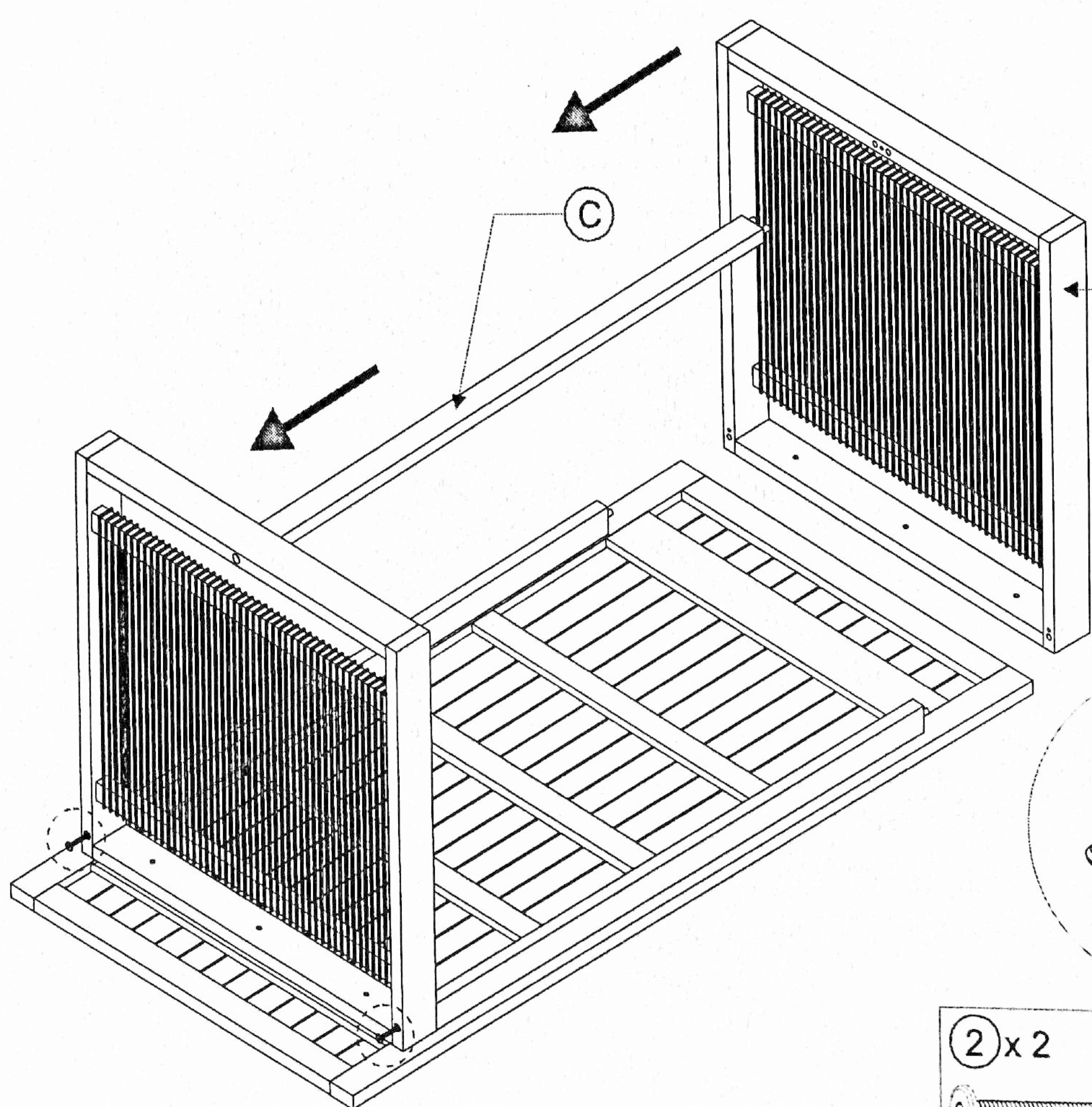




1

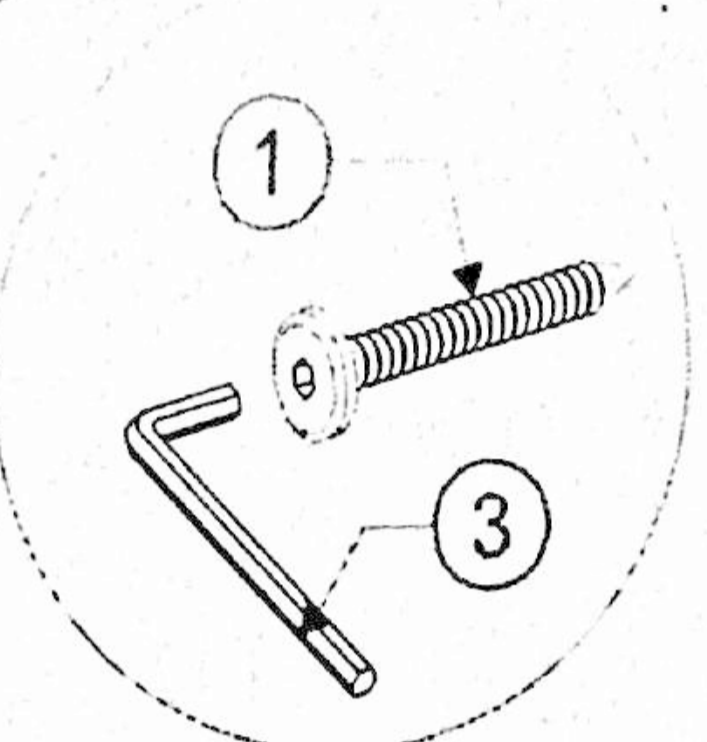
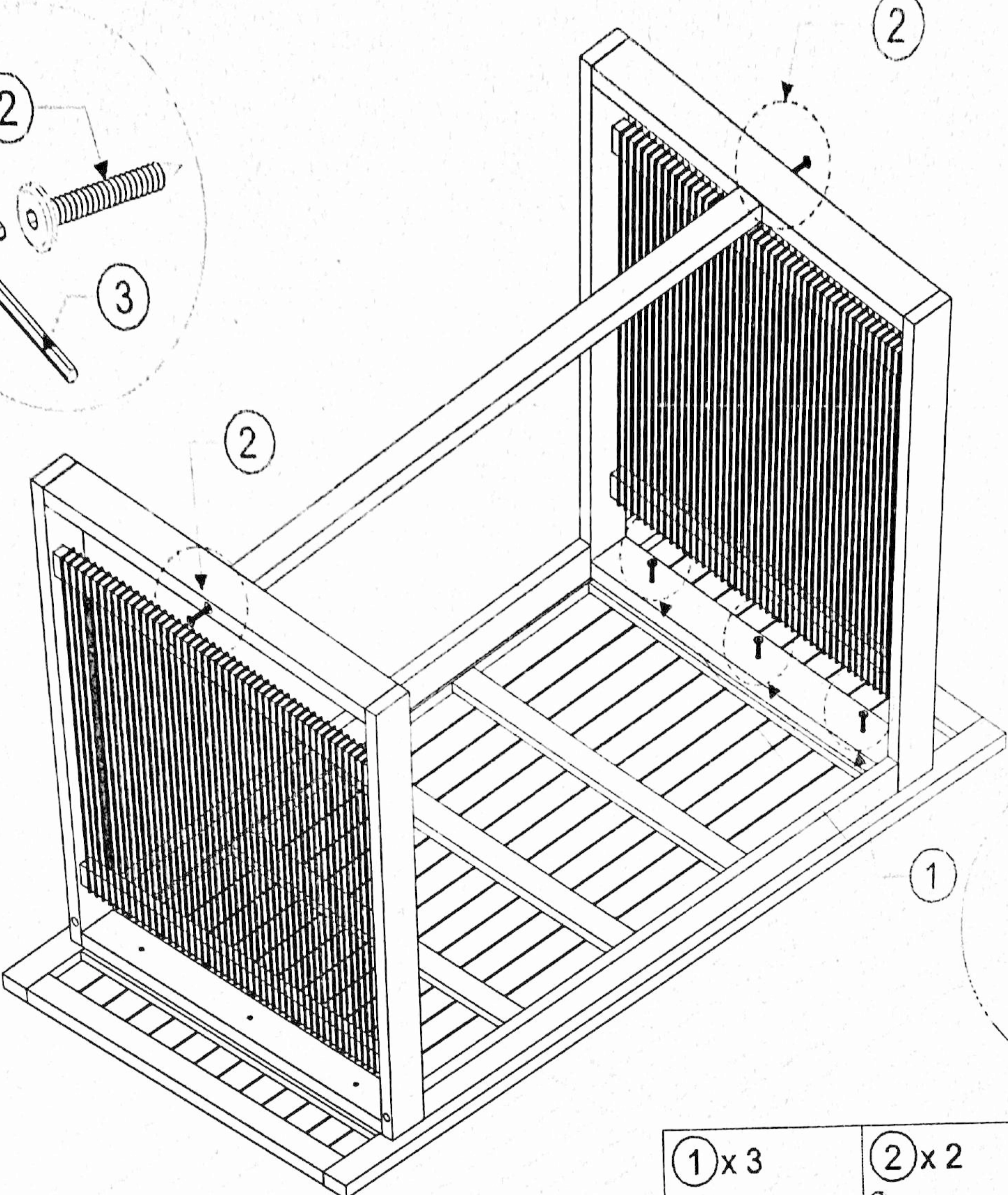
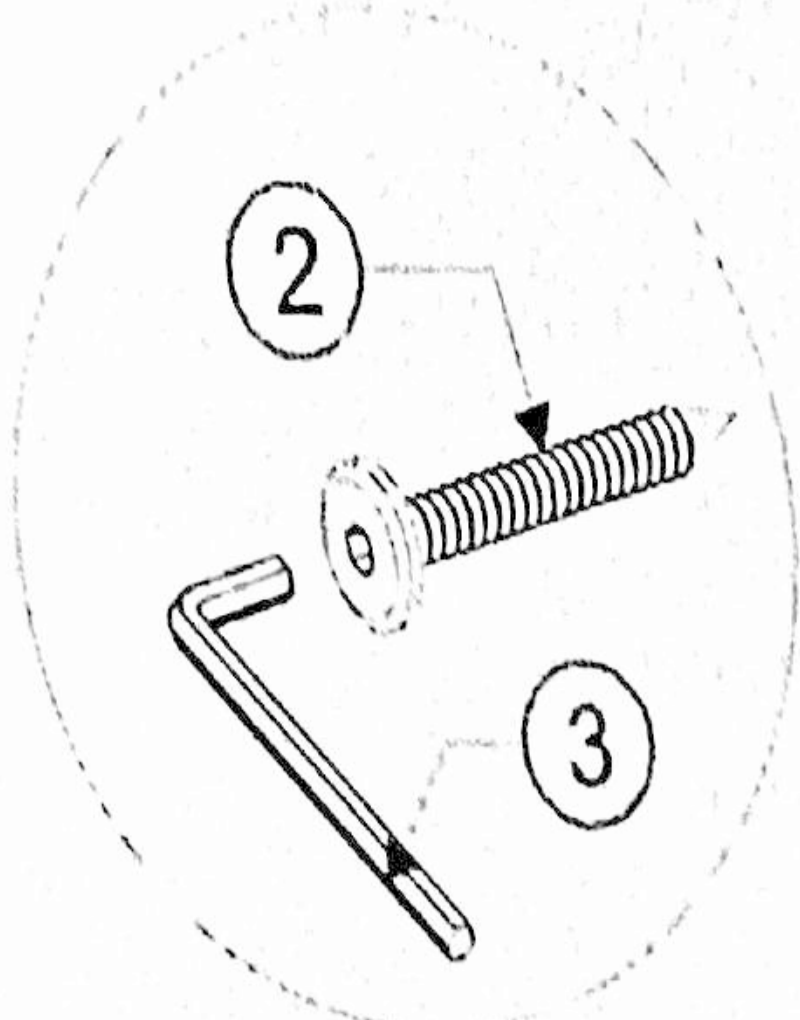





- |   |  |
|---|--|
| <p>① x 3</p>  <p>M7x40</p> | <p>③ x 1</p>  |
|---|--|

2

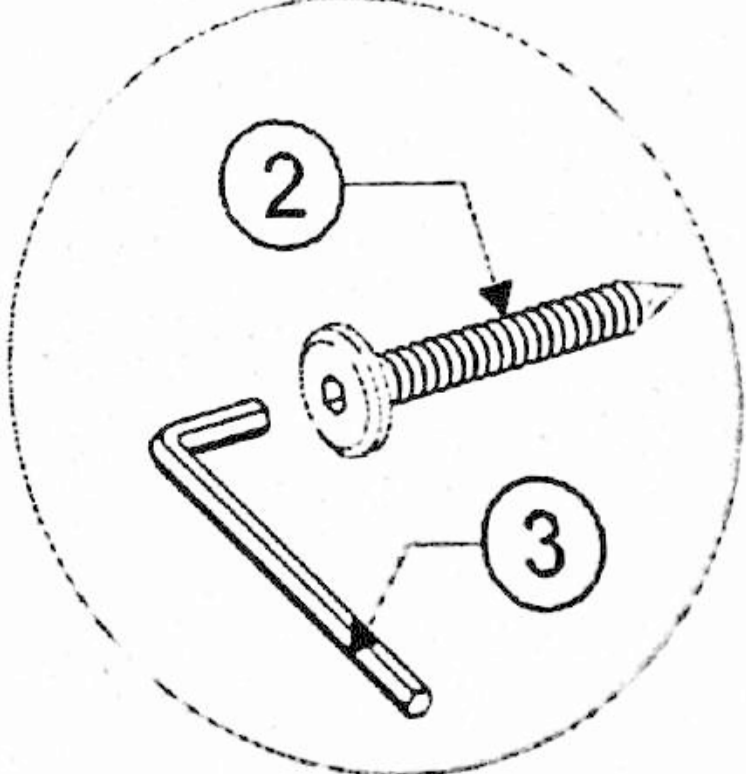
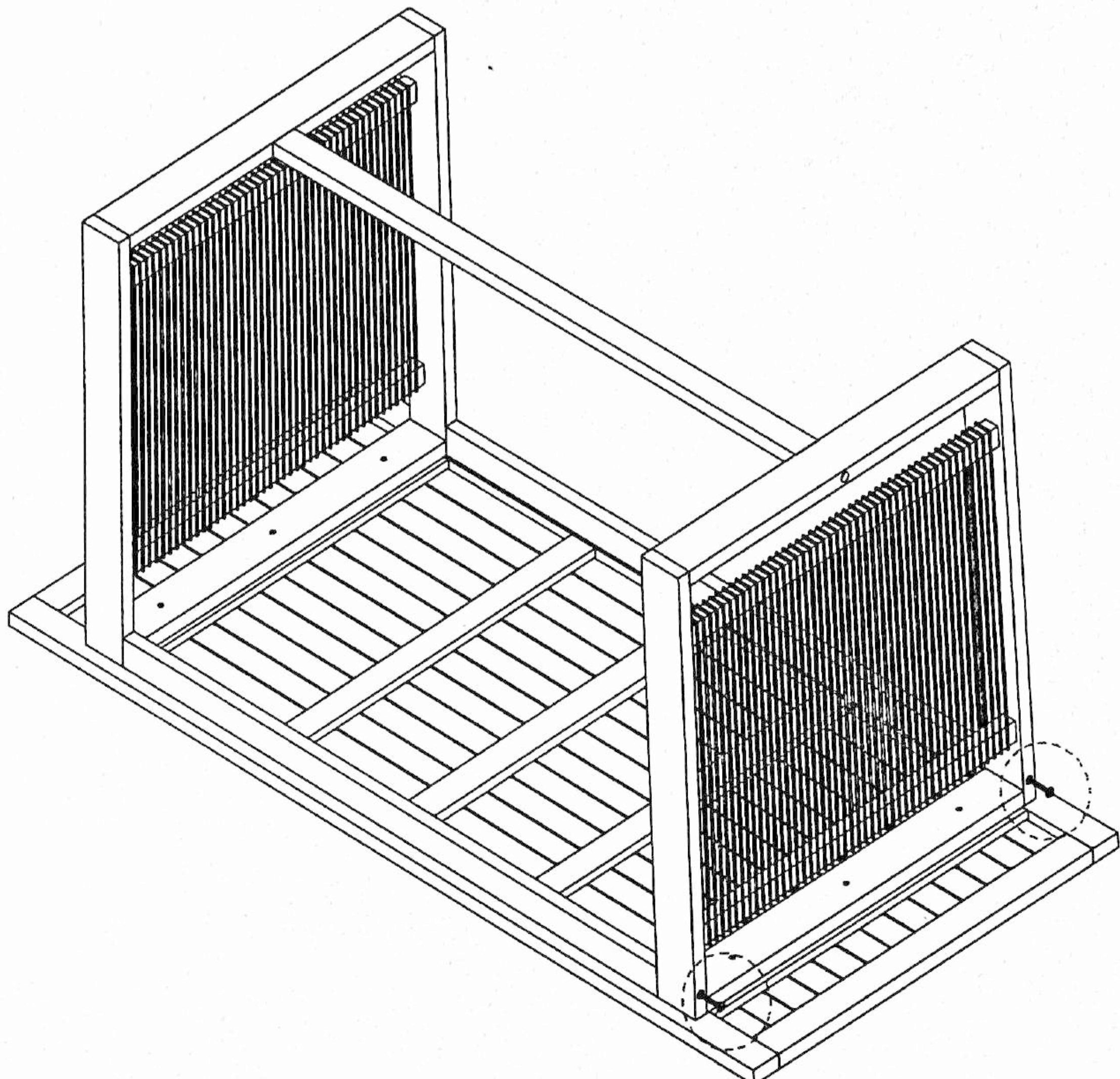




- |   |  |
|---|--|
| <p>② x 2</p>  <p>M6x70</p> | <p>③ x 1</p>  |
|---|--|



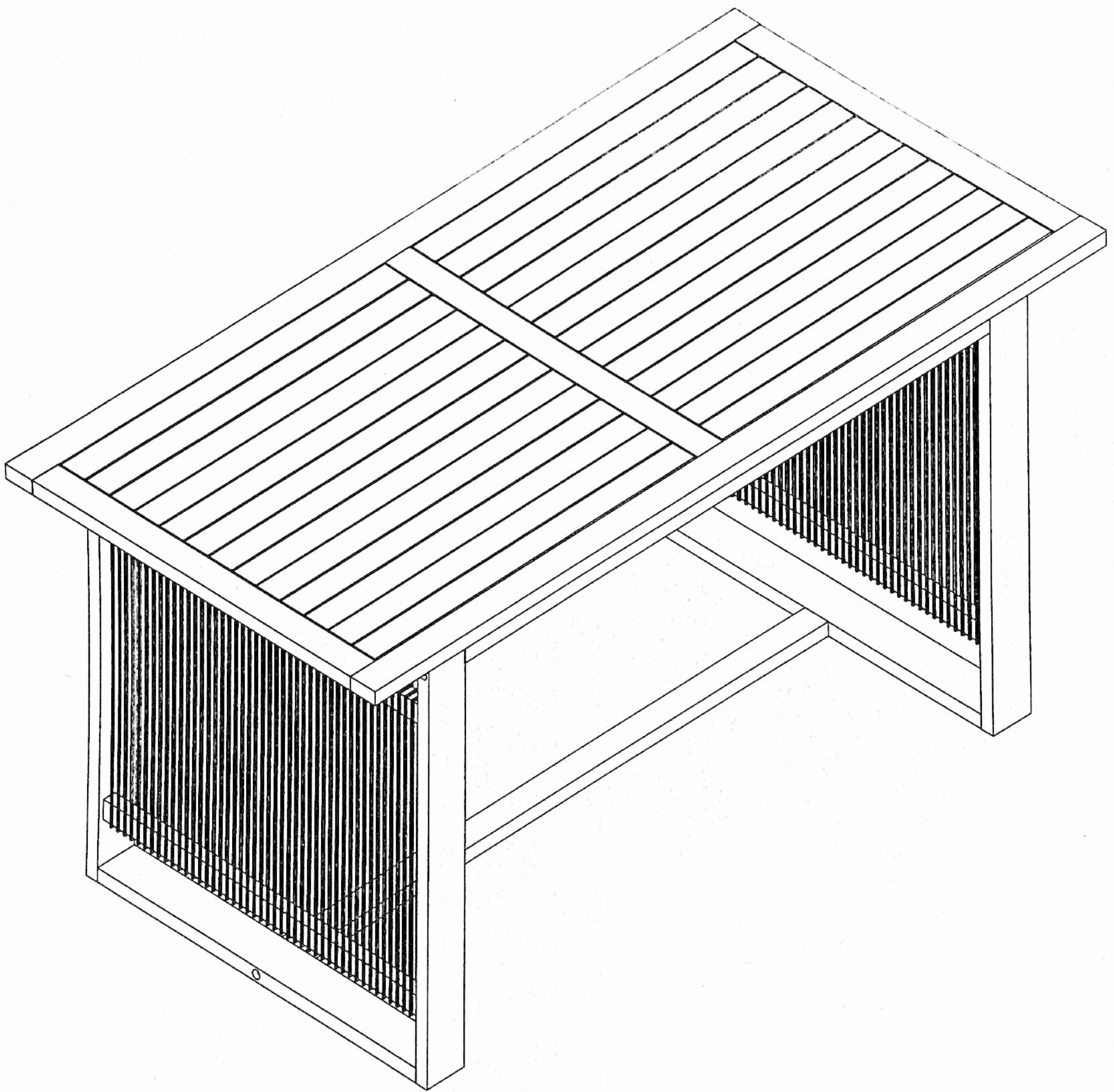
<p>① x 3</p>  <p>M7x40</p>	<p>② x 2</p>  <p>M6x70</p>	<p>③ x 1</p> 
---	---	--

4



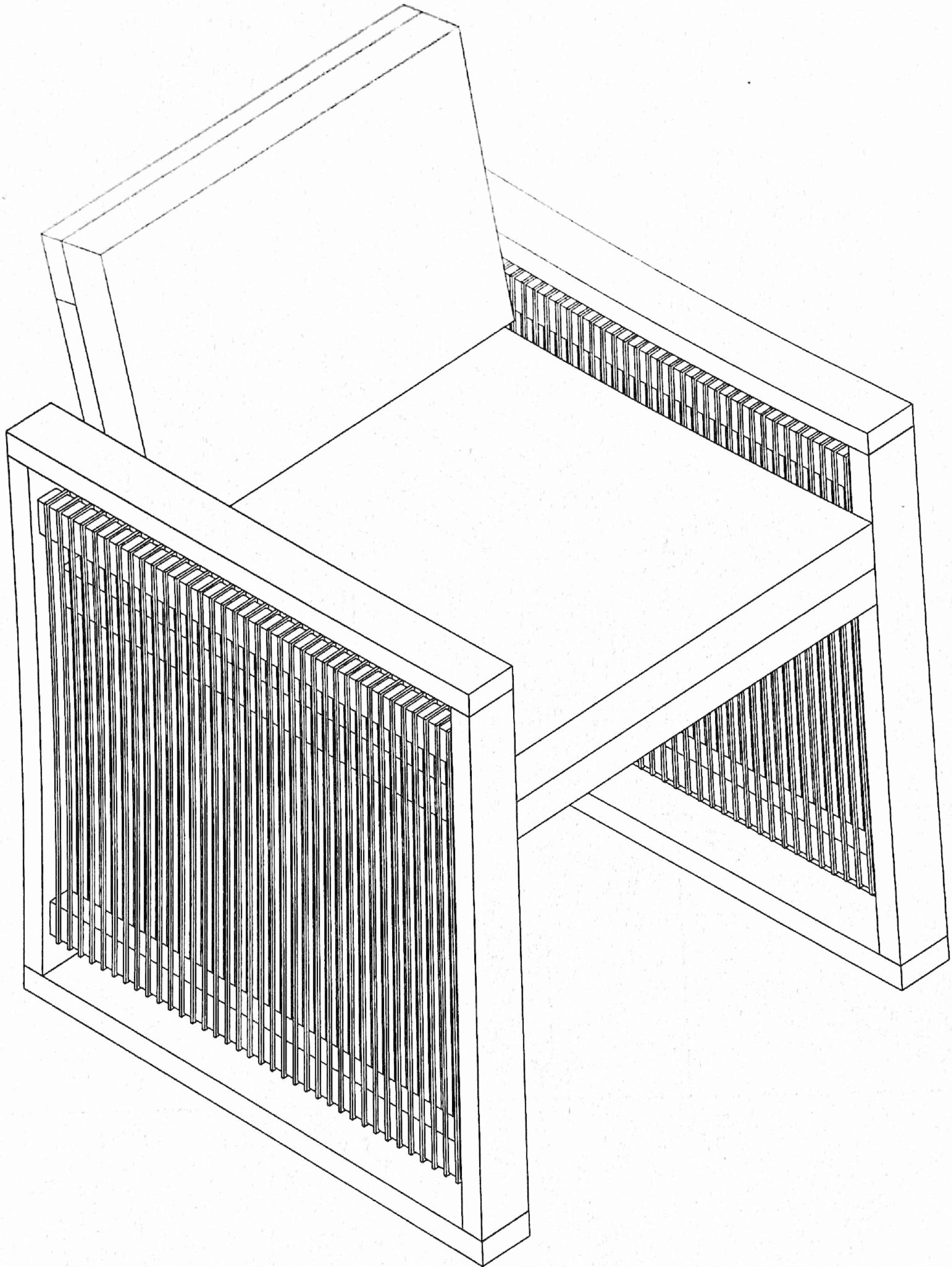
<p>② x 2</p>  <p>M6x70</p>	<p>③ x 1</p> 
---	--

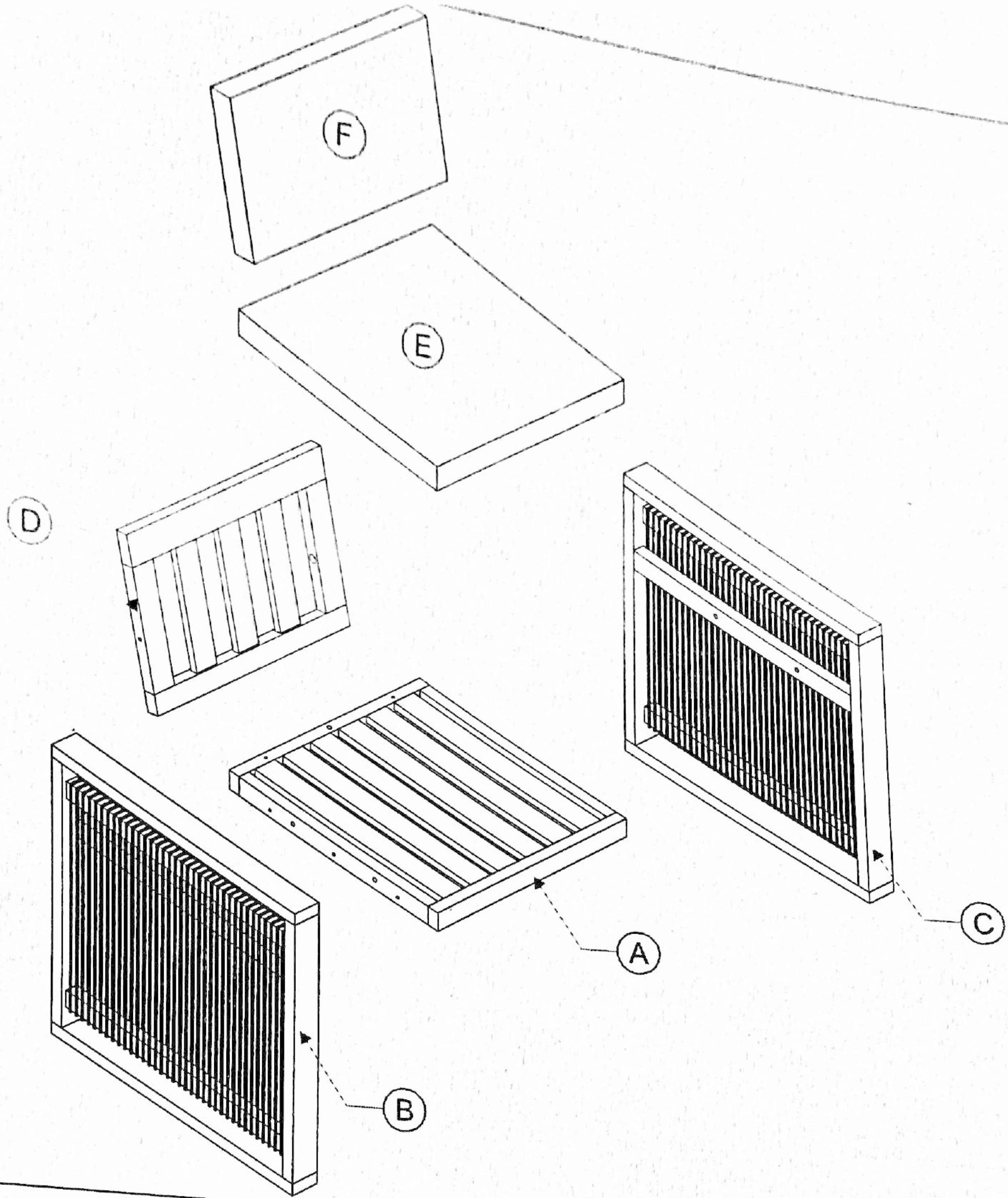
5



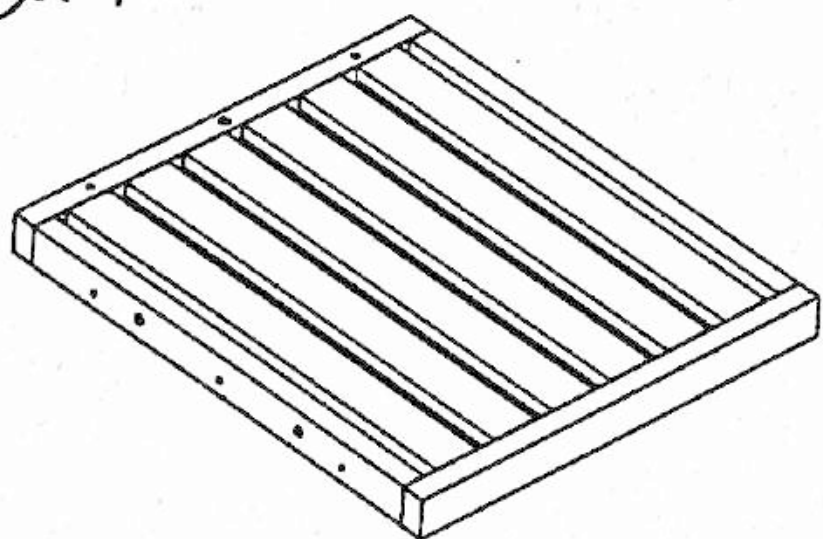


X2

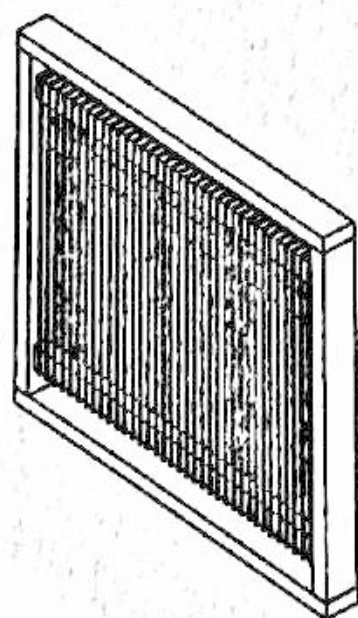




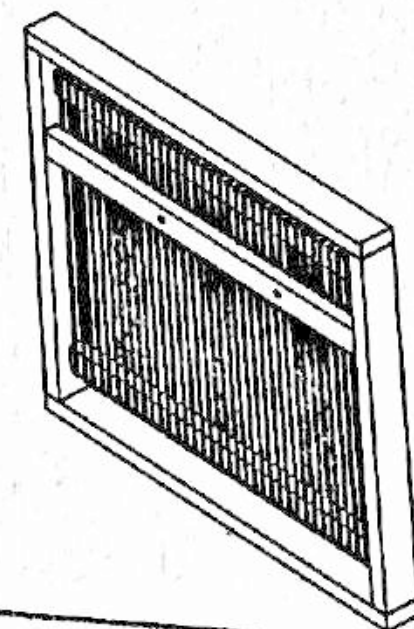
(A) x 1



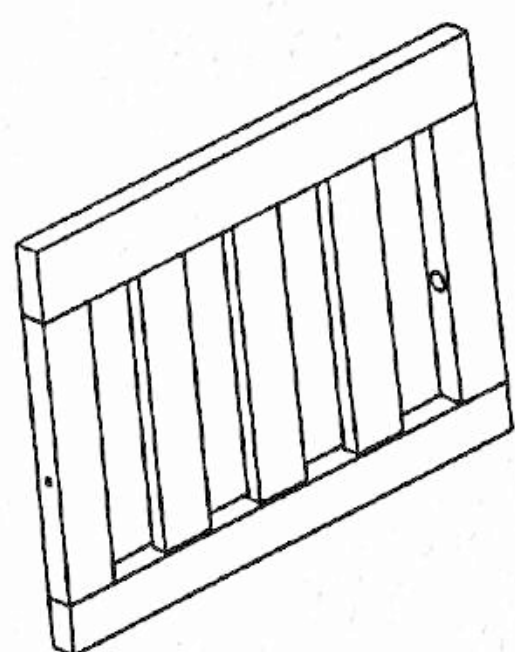
(B) x 1



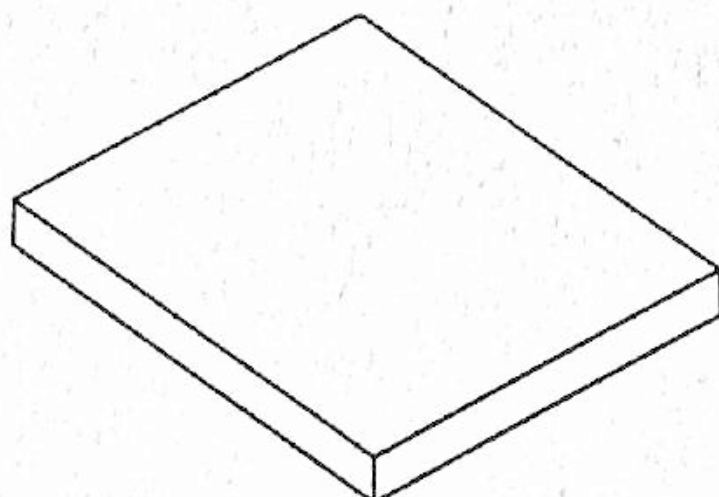
(C) x 1



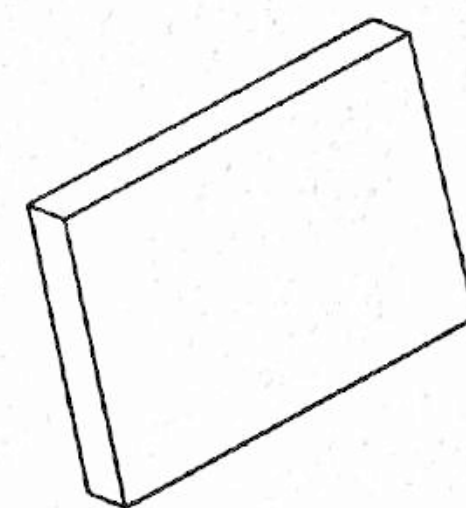
(D) x 1



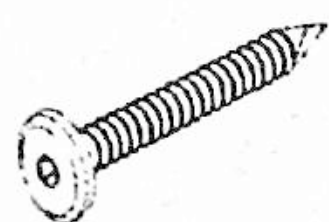
(E) x 1



(F) x 1

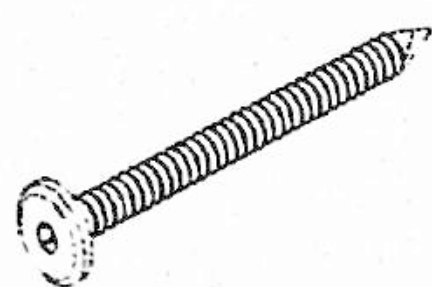


(1) x 6



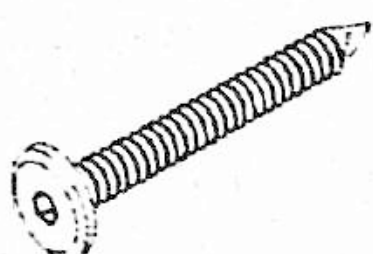
M7x40

(2) x 2



M6x70

(3) x 2



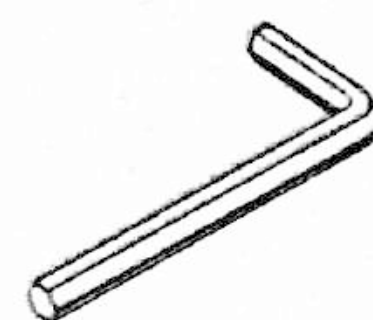
M7x60

(4) x 5

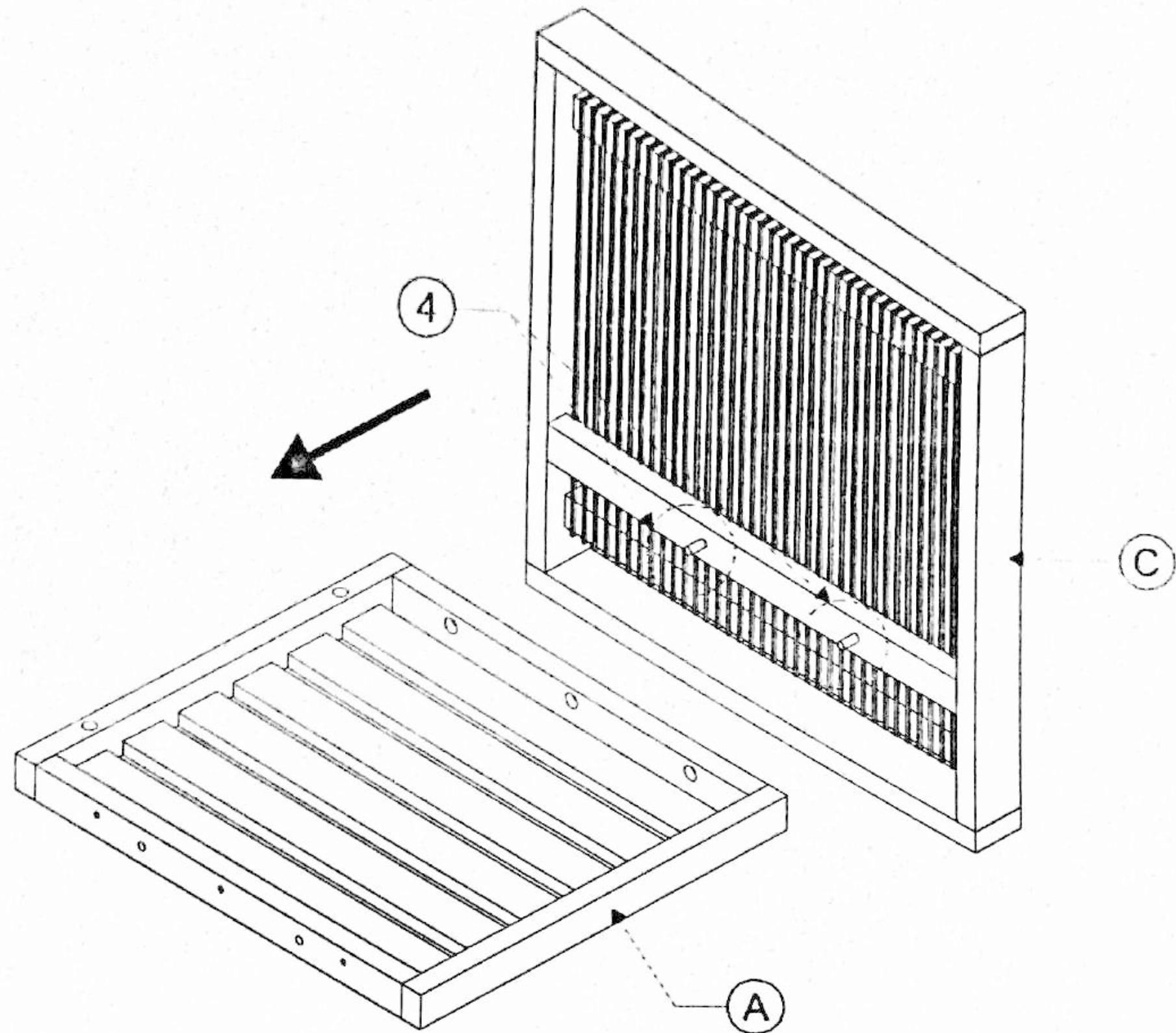


Ø8X40

(5) x 2

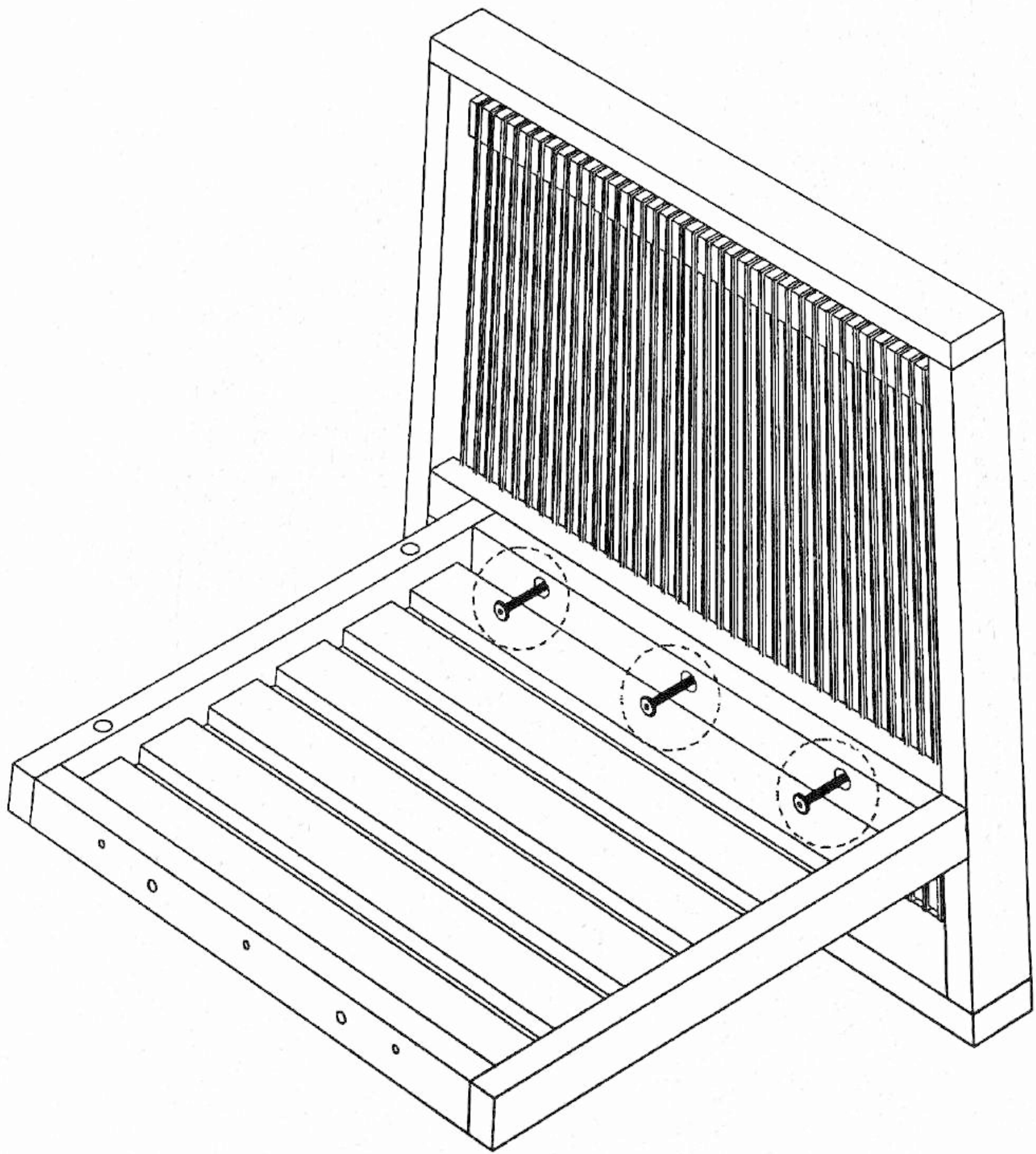


1

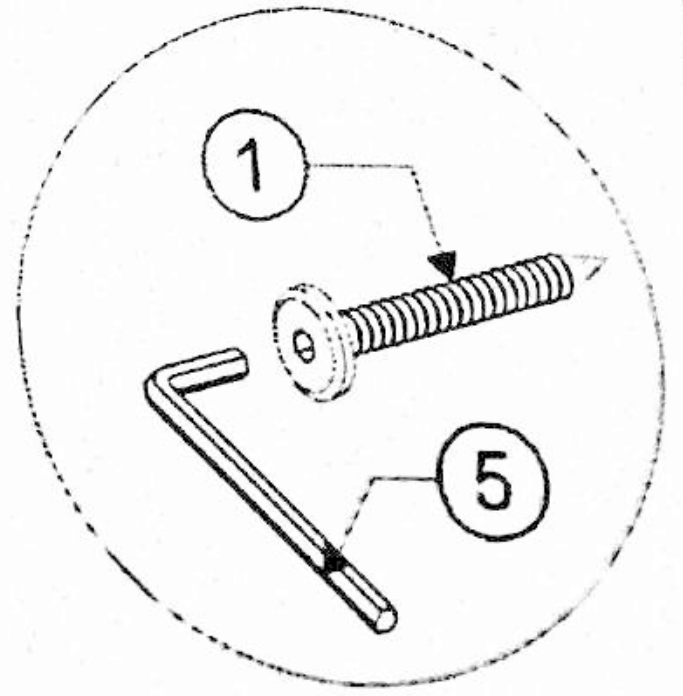


④ x 2  
Ø8X40

2



! 80%  
80%

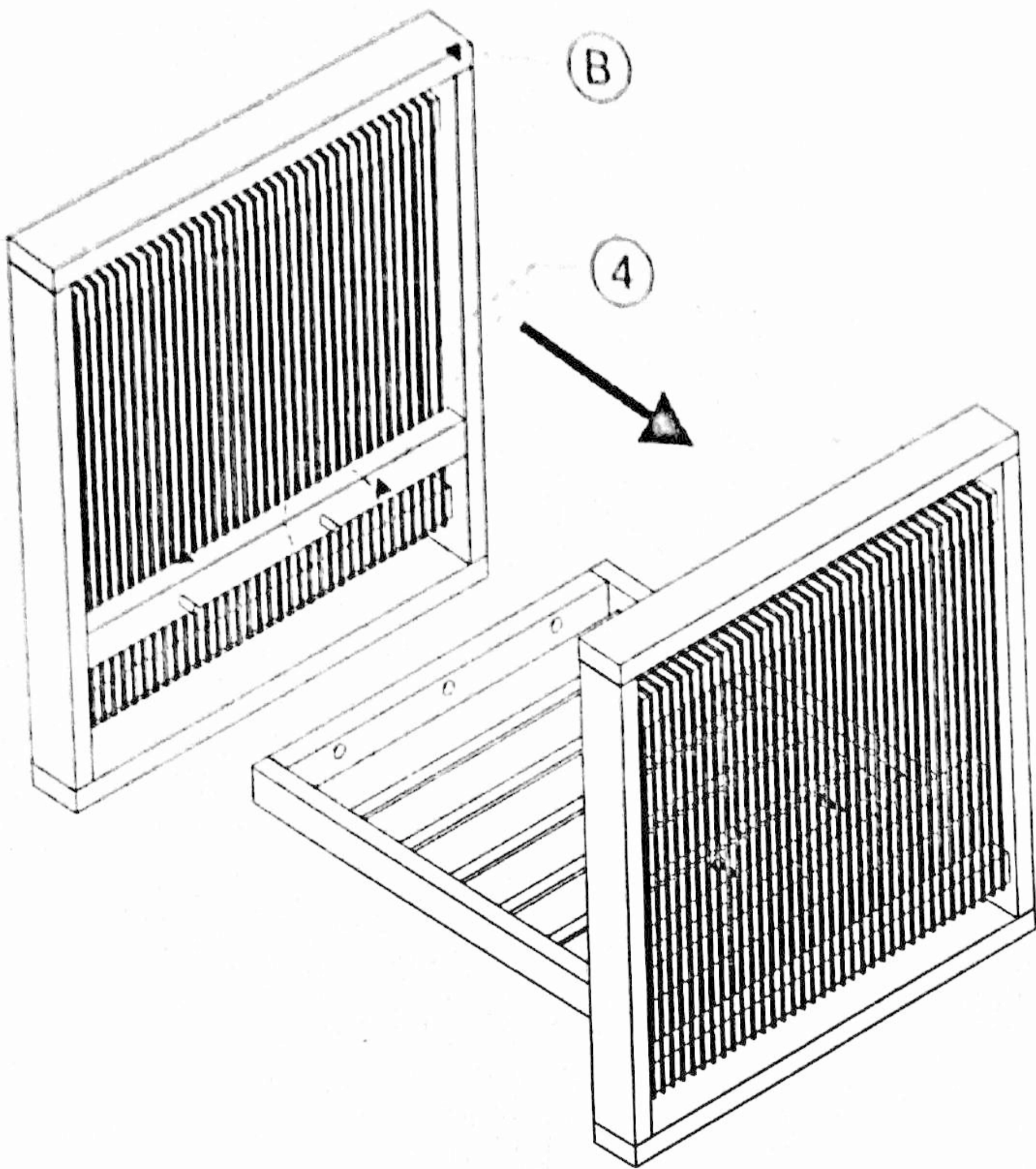


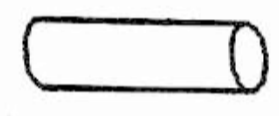
① x 3  
M7x40

⑤ x 1

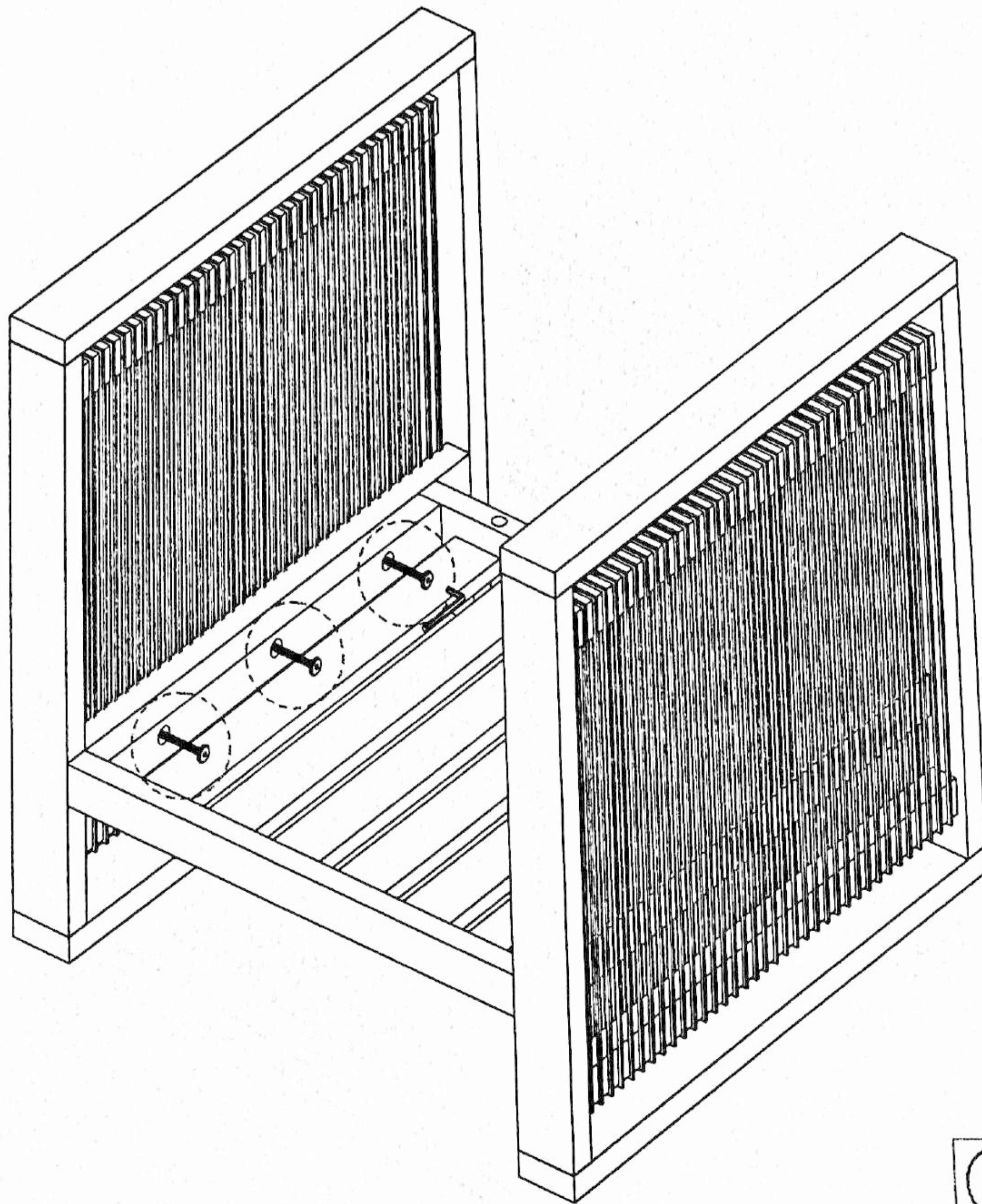



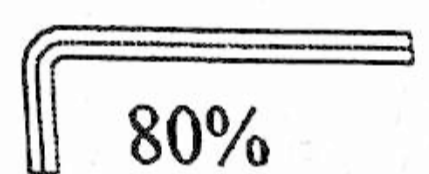
3




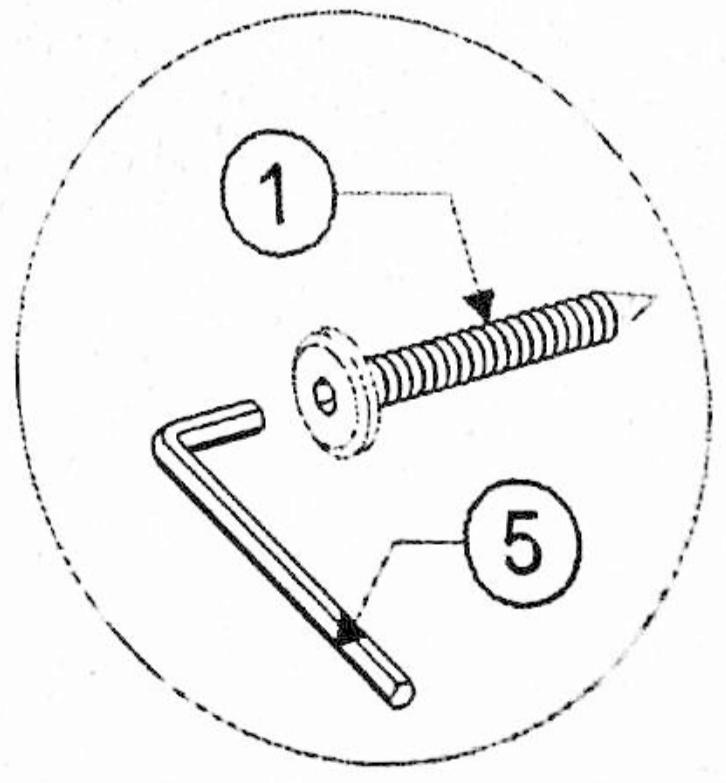
④ x 2  
  
 Ø8X40


4




  80%

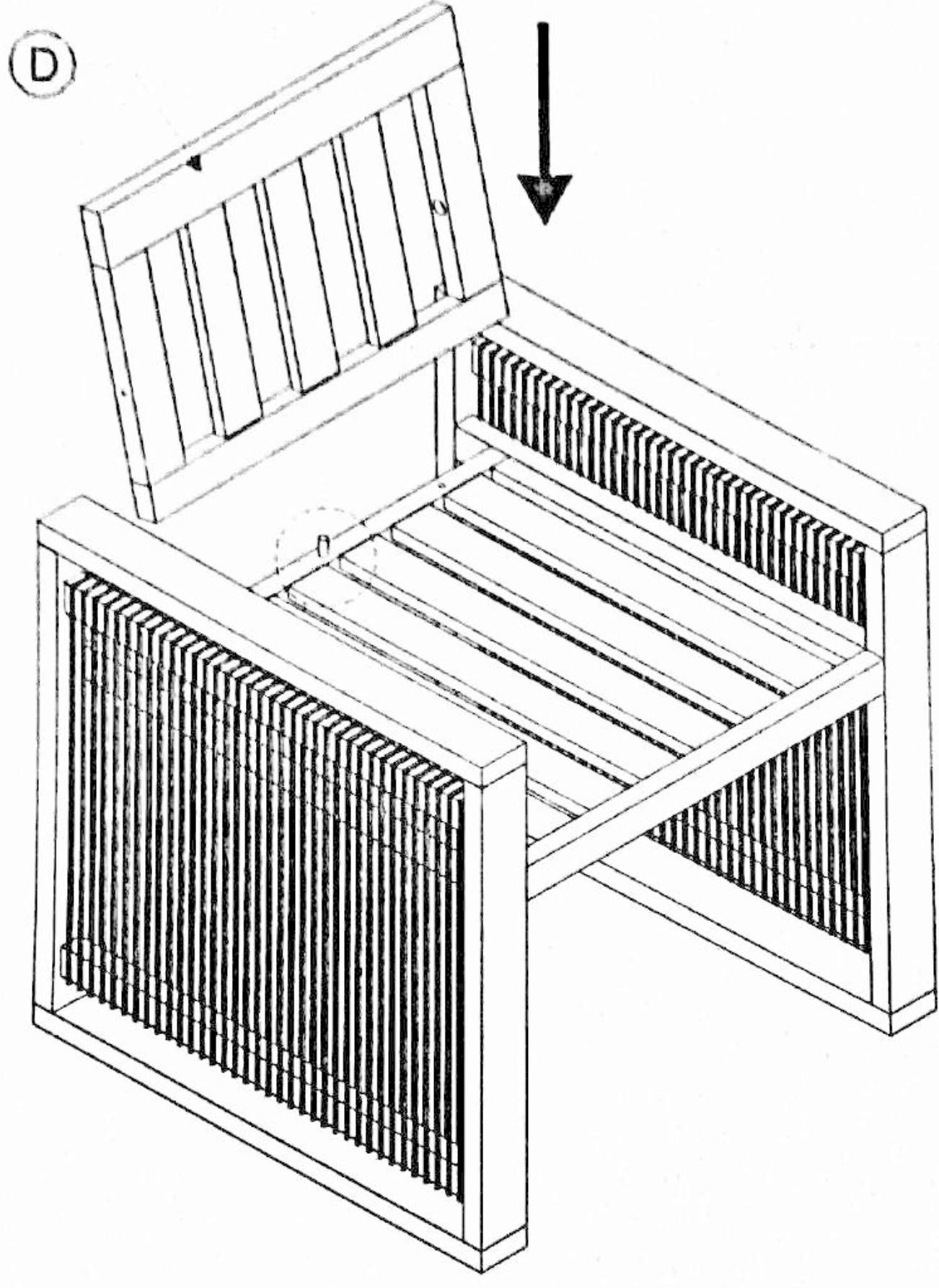
80% 

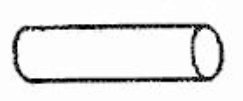


① x 3  
  
 M7x40

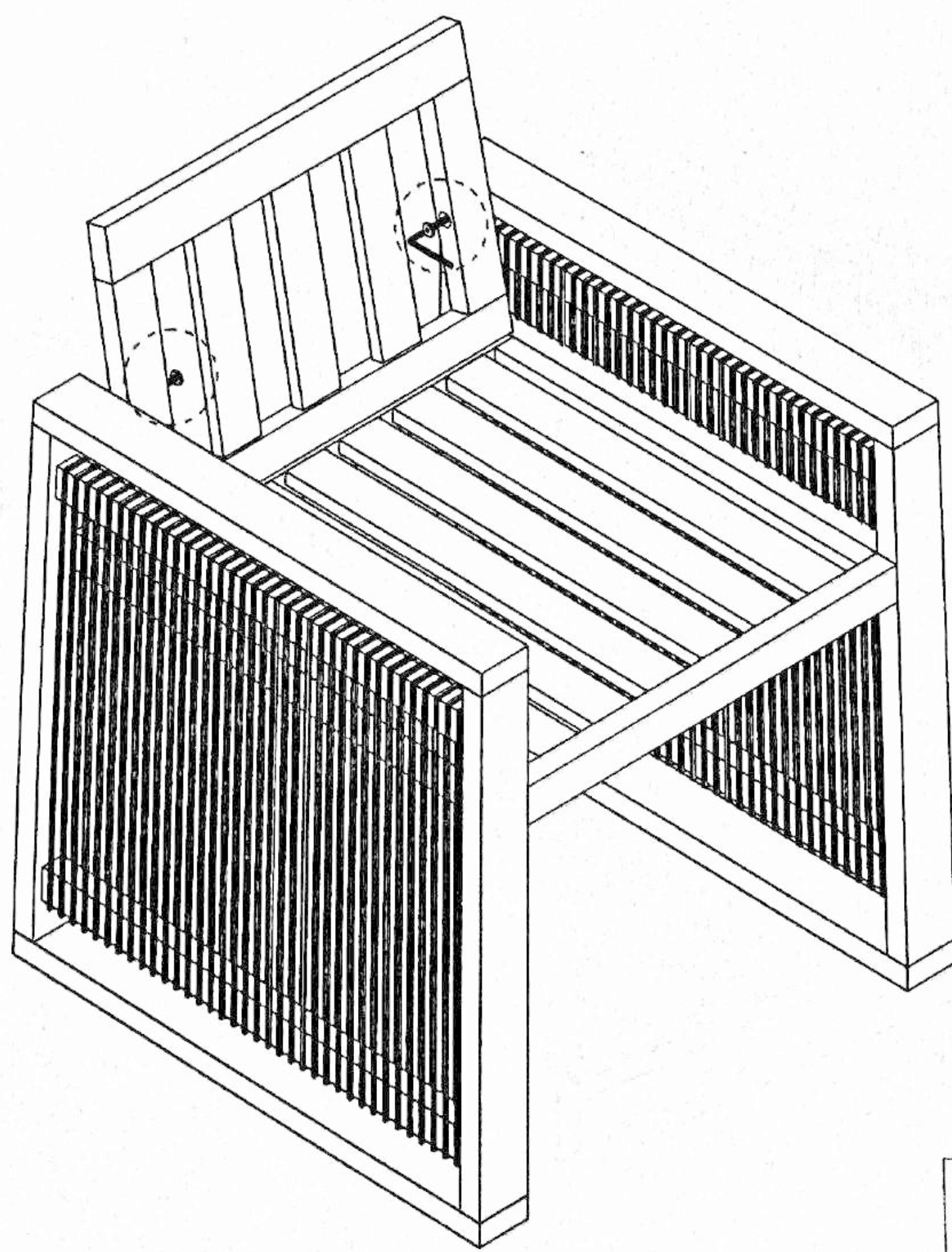
⑤ x 1  



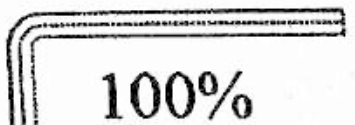

5

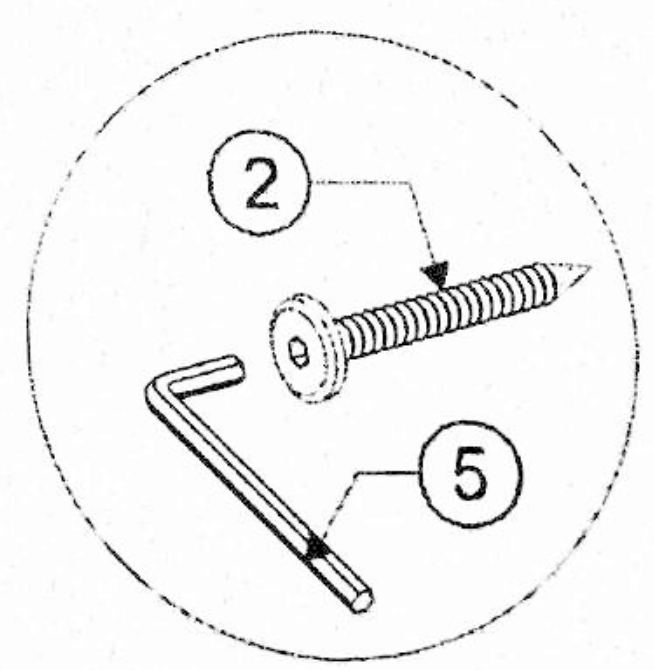


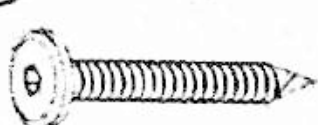
4 x 1  
  
 Ø8X40


6

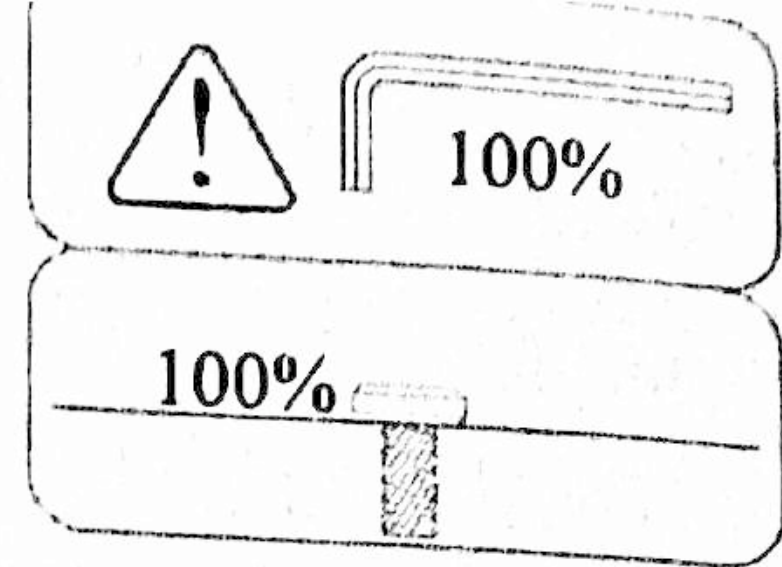
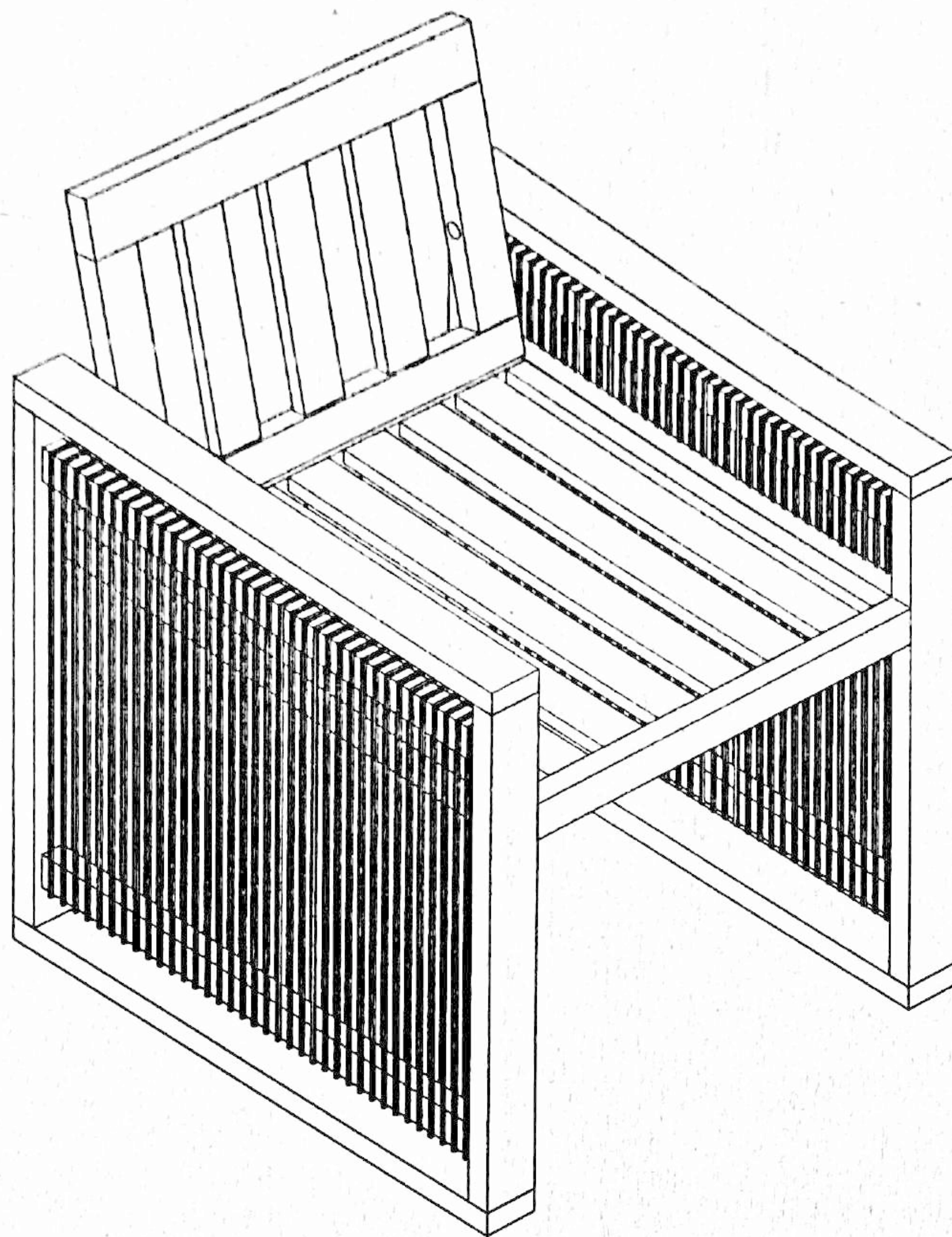


  100%  
 100% 

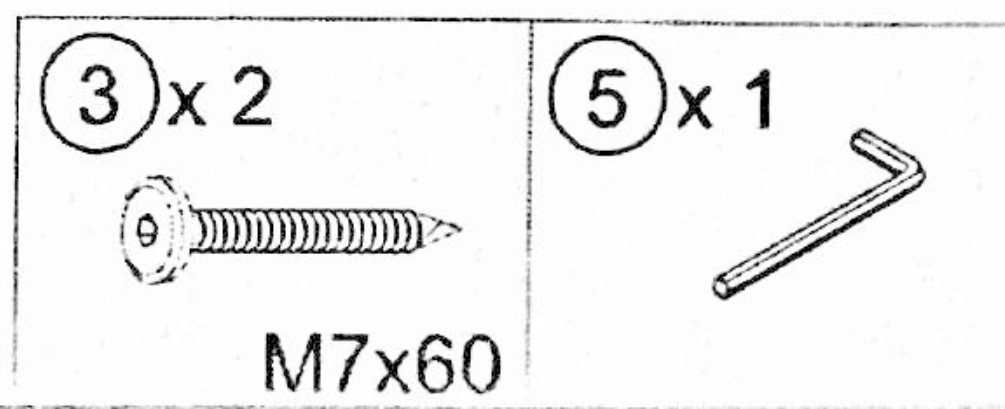
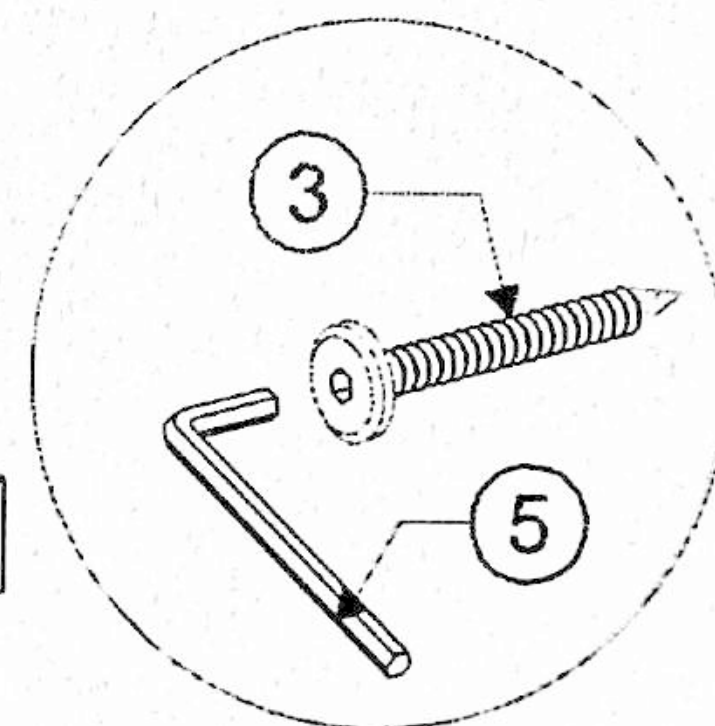
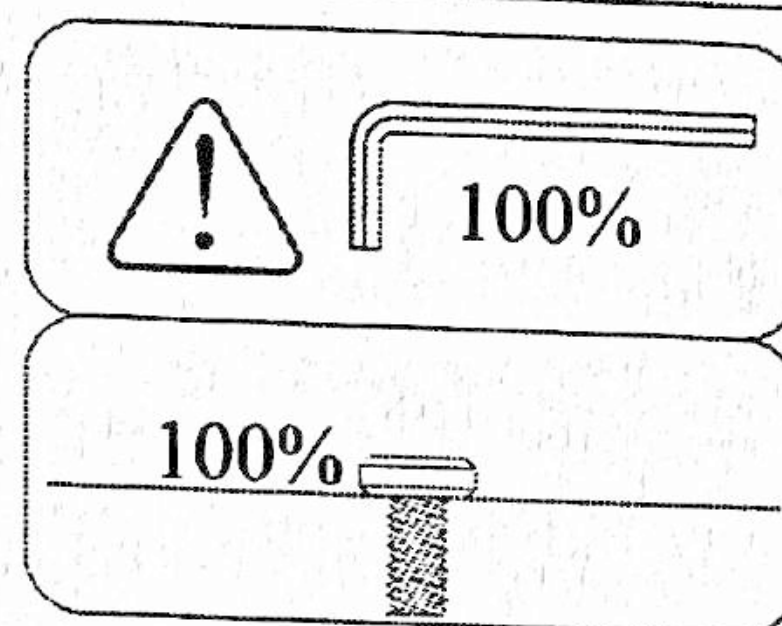
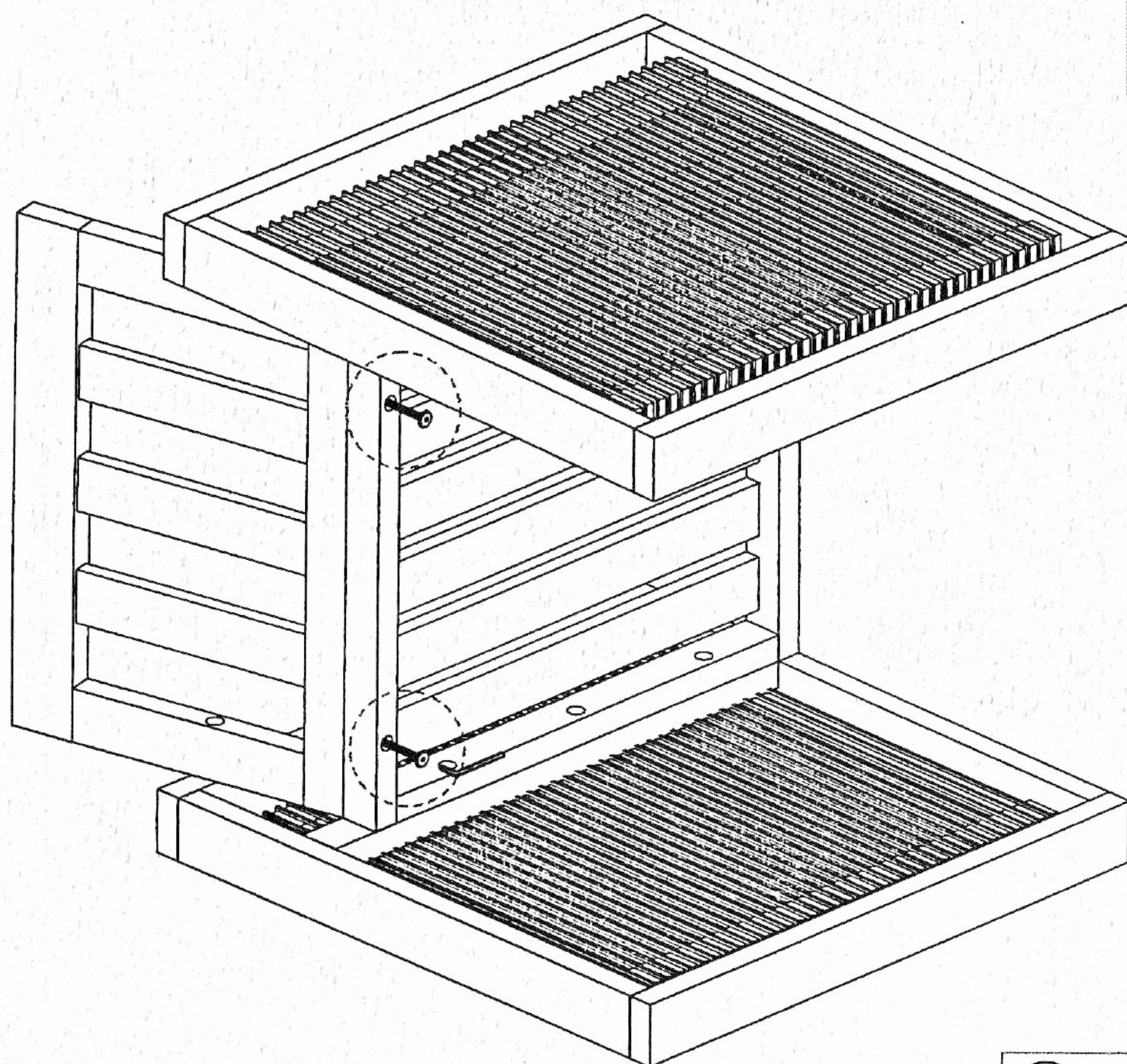


2 x 2  
  
 M6x70

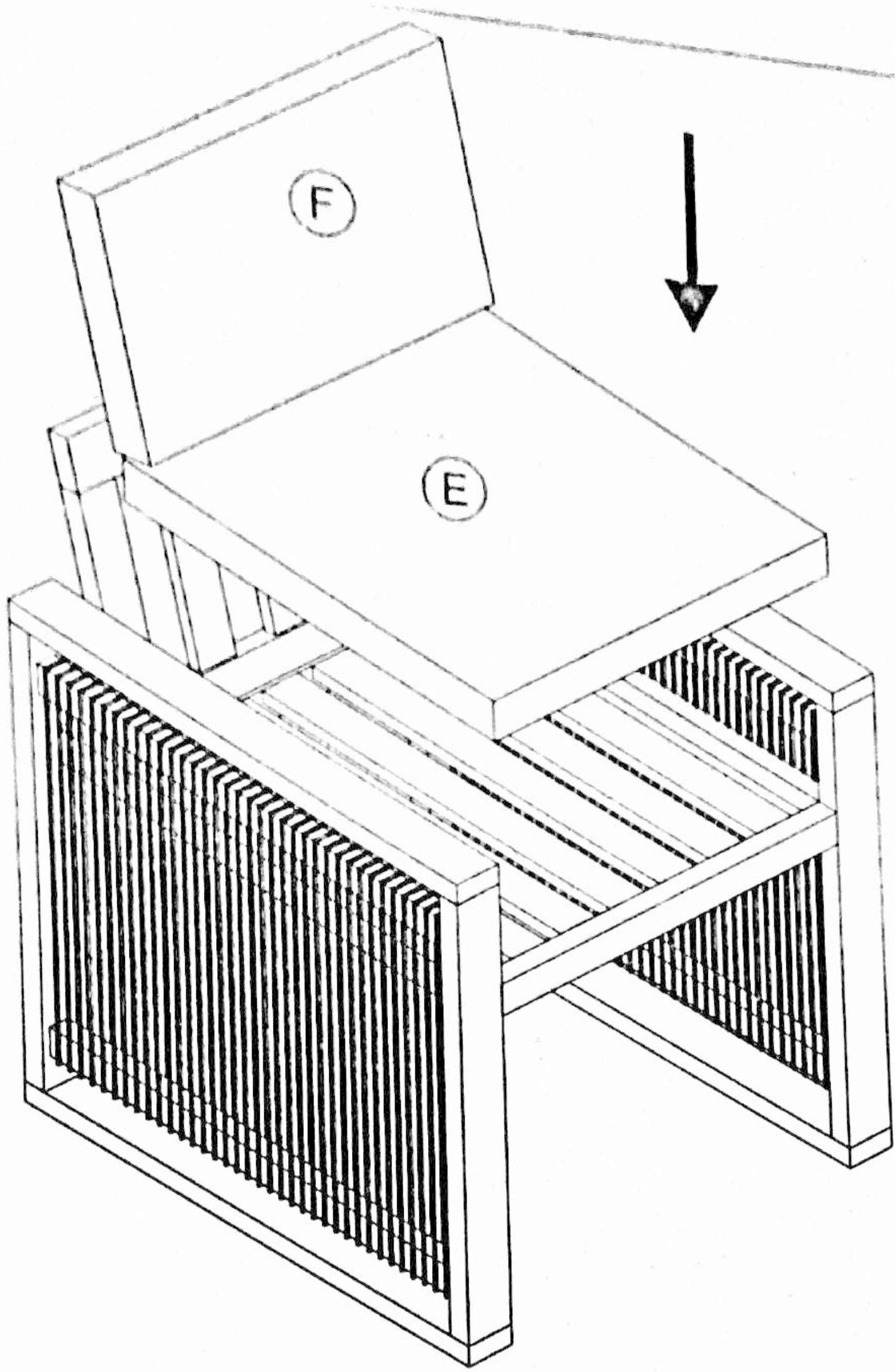
5 x 1  




8



9



10

